



# SUBMITTAL COVER SHEET

PROJECT NAME \_\_\_\_\_

LOCATION \_\_\_\_\_

ARCHITECT \_\_\_\_\_

ENGINEER \_\_\_\_\_

CONTRACTOR \_\_\_\_\_

SUBMITTED BY \_\_\_\_\_ DATE \_\_\_\_\_

## UNIT SUMMARY

Quantity						
Unit Designation						
Model No.						
Total Cooling						
Sensible Cooling						
Air Ent. Evaporator						
Air Lvg. Evaporator						
Heating Input						
Heating Output						
CFM/ESP						
EER/SEER						
Electrical						
Minimum Ampacity						
Min.-Max. Breaker						
Net Unit Weight						
Accessory						
Catalog Form Number						

### ACCESSORIES:

### NOTES:

# SUBMITTAL SHEET FOR (-)PRL- JEC 16 SEER REMOTE TWO-STAGE HEAT PUMP UNITS 2, 3, 4 & 5 NOMINAL TON [7.03, 10.5, 14 & 17.58 kW]



## Equipped with Comfort Control² System™

- Serial communication enabled
- Increased system reliability and efficiency
- 37+ on-board diagnostic and operating codes
- *Active Protection™* with homeowner "Call for Service" alert
- Exclusive Design with dual 7-segment LED display

JOB NAME \_\_\_\_\_ LOCATION \_\_\_\_\_

CONTRACTOR \_\_\_\_\_ ORDER NO. \_\_\_\_\_

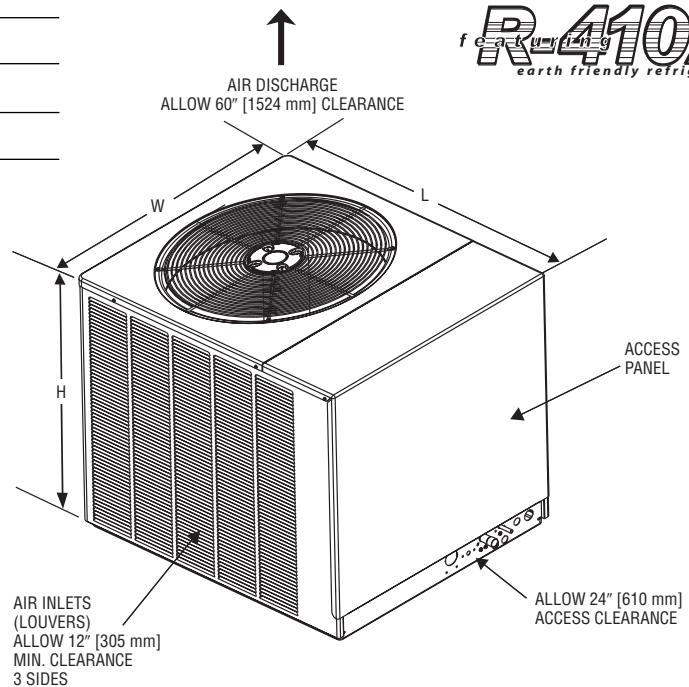
ENGINEER \_\_\_\_\_ SUBMITTED FOR  APPROVAL  RECORD

DATE \_\_\_\_\_

MODEL NO. \_\_\_\_\_

AIR HANDLER MODEL NO. \_\_\_\_\_

INDOOR COIL MODEL NO. \_\_\_\_\_



### UNIT DATA

#### COOLING PERFORMANCE

EFFICIENCY ..... SEER/EER

TOTAL CAPACITY\*..... MBH [kW]

SENSIBLE CAPACITY\*..... MBH [kW]

OUTDOOR DESIGN TEMP. .... °F [°C] DB

TEMP. OF AIR ENTERING  
EVAPORATOR COIL..... °F [°C] DB

..... °F [°C] WB

#### HEATING PERFORMANCE

EFFICIENCY ..... HSPF

TOTAL CAPACITY\*..... MBH [kW]

OUTDOOR DESIGN TEMP. .... °F [°C] DB

TEMP. OF AIR ENTERING  
EVAPORATOR COIL..... °F [°C] DB

#### SUPPLY AIR BLOWER PERFORMANCE

TOTAL AIR SUPPLY ..... CFM [L/s]

TOTAL RESISTANCE EXTERNAL  
TO UNIT..... IWG

MOTOR RATING ..... HP [W]

#### ELECTRICAL DATA

POWER SUPPLY ..... Hz

TOTAL UNIT AMPACITY..... AMPS

MINIMUM WIRE SIZE ..... AWG

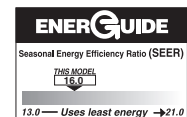
MAXIMUM OVERCURRENT DEVICE  
FUSES/HACR BREAKER ..... AMPS

#### CLEARANCES

SERVICE ACCESS	24" [610 mm]
AIR INLETS	12" [305 mm]
ABOVE UNIT	60" [1524 mm]

#### DIMENSIONS

Model Number (-)PRL-	Height "H" (Inches) [mm]	Length "L" (Inches) [mm]	Width "W" (Inches) [mm]
024JEC/036JEC/ 048JEC/060JEC	33 [838]	44 <sup>3</sup> / <sub>8</sub> [1127]	31 <sup>1</sup> / <sub>2</sub> [800]



"Proper sizing and installation of equipment is critical to achieve optimal performance. Split system air conditioners and heat pumps must be matched with appropriate coil components to meet ENERGY STAR criteria. Ask your Contractor for details or visit [www.energystar.gov](http://www.energystar.gov) <<http://www.energystar.gov/>>."

**FEATURES FOR (-)PRL- JEC 16 SEER TWO-STAGE REMOTE HEAT PUMPS  
2, 3, 4 & 5 NOMINAL TONS [7.03, 10.5, 14 & 17.58 kW]**

- Industry’s lowest profile design: 33" maximum height.
- The *Comfort Control<sup>®</sup> System<sup>™</sup>* provides over 37+ on-board diagnostics and fault history codes for condensing units with single-phase compressors by detecting system and electrical problems. The integrated diagnostics with *Active Protection<sup>™</sup>* prevents compressor operation when potentially harmful conditions are detected. Sends “Call for Service” alert notification to the thermostat to alert the homeowner of required service.
- Serial Communication Enhanced – When installed with a Serial Communicating Air Handler ((-)HPL-HM\*\*\*\*JC) and user interface control (-HC-TST501CMMS) Series 500 thermostat this unit offers 4 or 2 wire installation, auto-configuration, and diagnostic messaging with full communicating capability.
- Legacy Enabled – Unit can be conventionally wired using 24VAC with non-communicating air-handlers or furnaces with non-communicating thermostat.
- Features a 10-year conditional unit replacement warranty and 10-year parts warranty when properly installed with the Manufacturer’s air handler or the Manufacturer’s indoor coil with the Manufacturer’s gas furnace. See product warranty card for additional information.
- Reliable Two-Stage operation for precise temperature control and On-Demand dehumidification. When matched with ECM gas furnace or air-handler, the system adjusts airflow to help control humidity for unsurpassed comfort in the cooling mode.
- All controls are accessible by removing one service panel. Removable top grille provides access to the condenser fan motor and condenser coil.
- Attractive, louvered wrap-around jacket protects the coil from yard hazards and weather extremes. Top grille is steel reinforced for extra strength. Cabinet is powder painted for all-weather protection.
- For quiet operation and improved efficiency, models feature an ECM two-speed condenser fan motor with a 3-blade outdoor fan.
- All models meet or exceed a 1000-hour salt spray test per ASTM B117 Standard Practice for Operating Salt Spray Testing Apparatus.
- Dual Fuel capable with select thermostats.

[ ] Designates Metric Conversions

**FIELD INSTALLED ACCESSORIES**

- |                                      |                          |  |                          |
|--------------------------------------|--------------------------|--|--------------------------|
| Outdoor Thermostats .....            | <input type="checkbox"/> | Blower Time Delay Control (RXMD-C06) ..... | <input type="checkbox"/> |
| 3 Heat/2 Cool Thermostats .....      | <input type="checkbox"/> | Dual Fuel High Pressure Control            |                          |
| Low Ambient Control (RXAD-A08) ..... | <input type="checkbox"/> | (Dual Fuel Kit RXME-A01) .....             | <input type="checkbox"/> |

**SPECIAL NOTES ON EQUIPMENT:**

**Before proceeding with installation, refer to installation instructions packaged with each model, as well as complying with all Federal, State, Provincial, and Local codes, regulations, and practices.**

Rheem Sales Company, Inc.  
P.O. Box 17010, Fort Smith, AR 72917

*“In keeping with its policy of continuous progress and product improvement, Rheem reserves the right to make changes without notice.”*