



SUBMITTAL COVER SHEET

PROJECT NAME _____

LOCATION _____

ARCHITECT _____

ENGINEER _____

CONTRACTOR _____

SUBMITTED BY _____ DATE _____

UNIT SUMMARY

Quantity						
Unit Designation						
Model No.						
Total Cooling						
Sensible Cooling						
Air Ent. Evaporator						
Air Lvg. Evaporator						
Heating Input						
Heating Output						
CFM/ESP						
EER/SEER						
Electrical						
Minimum Ampacity						
Min.-Max. Breaker						
Net Unit Weight						
Accessory						
Catalog Form Number						

ACCESSORIES:

NOTES:

SUBMITTAL SHEET FOR (-)HLA, (-)HLL, (-)HSA, (-)HSL 1 1/2 TO 5 NOMINAL TON [5.3 TO 17.6 kW] AIR HANDLERS

JOB NAME _____ LOCATION _____
 CONTRACTOR _____ ORDER NO. _____
 ENGINEER _____ SUBMITTED FOR APPROVAL RECORD
 DATE _____ OUTDOOR UNIT MODEL NO. _____
 MODEL NO. _____ INDOOR COIL MODEL NO. _____



UNIT DATA

COOLING PERFORMANCE

TOTAL CAPACITY* MBH [kW]
 SENSIBLE CAPACITY* MBH [kW]
 OUTDOOR DESIGN TEMP. °F [°C] DB
 TOTAL SUPPLY AIR CFM [L/s]
 TEMP. OF AIR ENTERING
 EVAPORATOR COIL °F [°C] DB
 °F [°C] WB
 POWER INPUT REQUIREMENT kW
 (*uses blower motor heat)

HEATING PERFORMANCE

TOTAL CAPACITY* MBH [kW]
 OUTDOOR DESIGN TEMP. °F [°C] DB
 TEMP. OF AIR ENTERING
 EVAPORATOR COIL °F [°C] DB
 ELECTRIC HEAT CAPACITY kW
 POWER INPUT REQUIREMENT kW
 (*uses blower motor heat)

SUPPLY AIR BLOWER PERFORMANCE

TOTAL AIR SUPPLY CFM [L/s]
 TOTAL RESISTANCE EXTERNAL
 TO UNIT IWG
 BLOWER SPEED RPM
 POWER OUTPUT REQUIREMENT .. BHP
 MOTOR RATING HP [W]
 POWER INPUT REQUIREMENT kW

ELECTRICAL DATA

POWER SUPPLY / /
 TOTAL UNIT AMPACITY AMPS
 MINIMUM WIRE SIZE AWG
 MAXIMUM OVERCURRENT DEVICE
 FUSES/HACR BREAKER AMPS

CLEARANCES

SERVICE ACCESS FRONT 24" [609.6 mm]

FEATURES FOR

(-)HLA, (-)HLL, (-)HSA, (-)HSL AIR HANDLERS 1 1/2 TO 5 NOMINAL TONS [5.3 TO 17.6 kW]

- (-)HLA/(-)HLL models feature GE's new X-13 motor which provides enhanced SEER performance with most manufacturer's outdoor units.
- 1 1/2 ton [5.3 kW] through 5 ton [17.6 kW] models are between 42 1/2 to 55 1/2 inches [1080 to 1410 mm] tall and 22 inches [559 mm] deep.
- Versatile 4-way convertible design for upflow, downflow, horizontal left and horizontal right applications.
- Factory-installed high efficiency indoor coil.
- All models meet or exceed 330 to 400 CFM [156 to 189 L/s] per ton at .3 inches [.7 kPa] of external static pressure.
- Enhanced airflow up to .7" external static pressure.
- Sturdy construction with 1.0 inch [.24 kPa] of reinforced foil faced jacket insulation for excellent thermal and sound insulation.
- Field-installed auxiliary electric heater kits provide exact heat for indoor comfort. Kits include circuit breakers which meet UL and cUL requirements for service disconnect.
- The most compact unit design available, all standard heat air handler models only 42 1/2 to 55 1/2 inches [1079 to 1409 mm] high.
- Attractive pre-painted cabinet exterior.
- Rugged wall steel cabinet construction, designed for added strength and versatility.

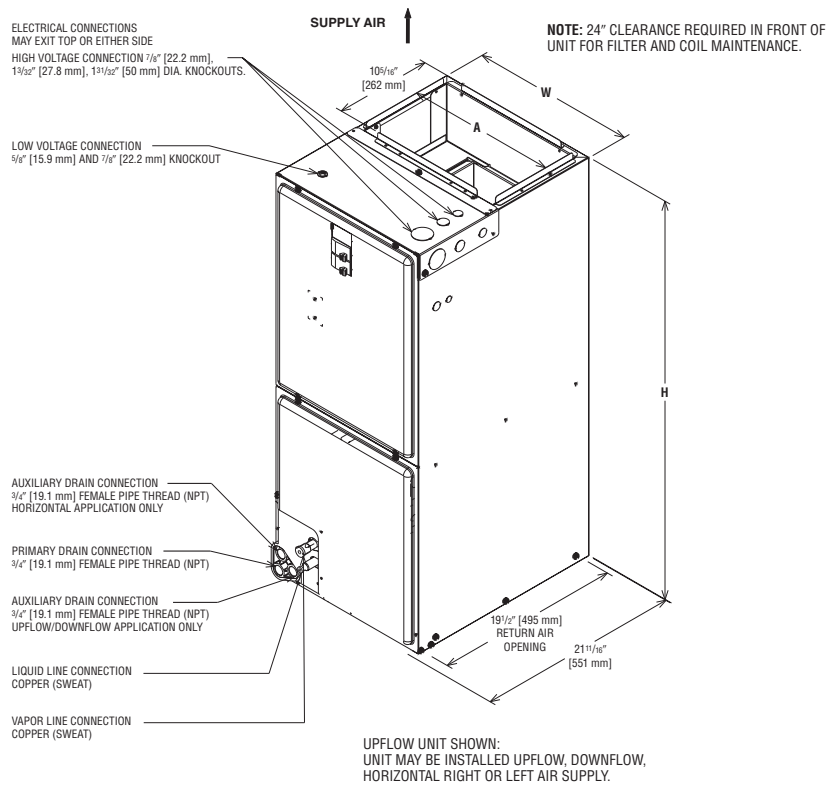
[] Designates Metric Conversions



RATED IN ACCORDANCE WITH A.R.I. 210

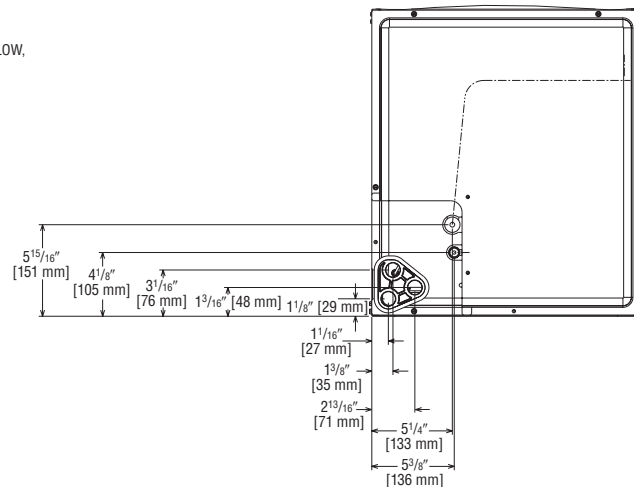
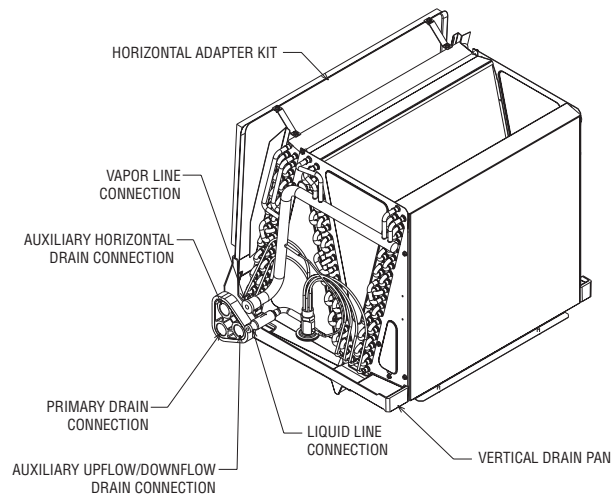
RATED IN ACCORDANCE WITH A.R.I. 240

Unit Dimensions



Return Air Opening Dimensions

Model Cabinet Size	Return Air Opening Width (Inches)	Return Air Opening Depth/Length (Inches)
17	16	19 1/2
21	19 1/2	19 1/2
24	23	19 1/2



[] Designates Metric Conversions
() Designates Unit with Double Coil Cabinet

Unit Dimensions & Weights

Nominal Cooling Capacity Tons	Model Cabinet Size	Unit Width "W" In. [mm]	Unit Height "H" In. [mm]	Supply Duct "A" In. [mm]	Air Flow CFM (Nom.) [L/s]		Unit Weight/Shipping Weight (Lbs.) [kg]
					Lo	Hi	Unit With Coil (Max. KW)
1 1/2 & 2	17	17 1/2 [445]	42 1/2 [1080]	16 [406]	600 [283]	800 [378]	82/96 [37/44]
2 1/2 & 3	17	17 1/2 [445]	42 1/2 [1080]	16 [406]	1000 [472]	1200 [566]	92/106 [37/48]
3	21	21 [533]	42 1/2 [1080]	19 1/2 [495]	1200 [566]	—	97/112 [44/51]
3 1/2 & 4	21	21 [533]	50 1/2 [1282]	19 1/2 [495]	1400 [661]	1600 [755]	150/166 [68/75]
4	24	24 1/2 [622]	55 1/2 [1410]	23 [584]	1600 [755]	—	162/180 [73/81]
5	24	24 1/2 [622]	55 1/2 [1410]	23 [584]	—	1800 [850]	181/198 [82/90]

Before proceeding with installation, refer to installation instructions packaged with each model, as well as complying with all Federal, State, Provincial, and Local codes, regulations, and practices.

RHEEM
MANUFACTURING
COMPANY
5600 Old Greenwood Road, Fort Smith, Arkansas 72908

"In keeping with its policy of continuous progress and product improvement, Rheem reserves the right to make changes without notice."